



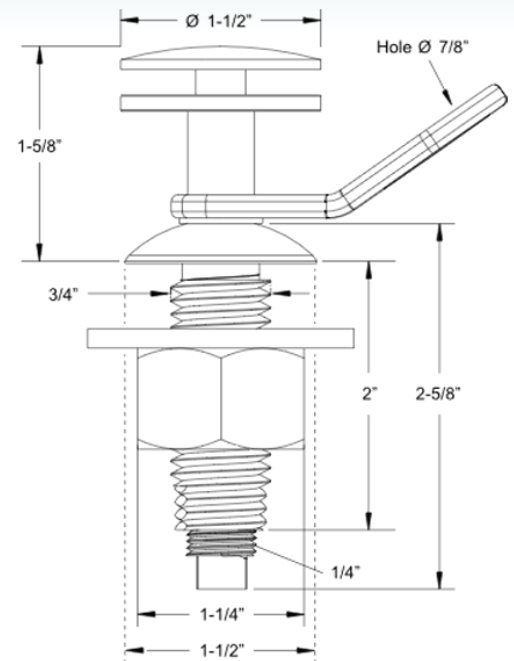
## QUICK RELEASE FENDER LOCK



For dockside safety and convenience, our Quick Release Fender Lock ensures secure, quickly stored fender lines, which are also maintained at the optimal length because of the attached mounting pin. At the dock, simply tie off a hanging fender with secure line through the 7/8" hole by the push button, insert the pin into the fitting and your boat is protected.

### FEATURES & BENEFITS

- ▶ Manufactured from stainless steel Type-316L
- ▶ Overall height above deck is 1-19/32"
- ▶ Includes a 1/4" drain plug
- ▶ Designed for easy, single-hand operation
- ▶ Allows simple installation and removal of float-style fenders
- ▶ Installation using a 3/4" drill bit through the gunnel
- ▶ Features a large push-button for comfortable operation
- ▶ Large 7/8" hole diameter for rope



PART #	DESCRIPTION	FINISH	UNIT	DETAILS
F16-0151	Quick Release Fender Lock	High Polish	Each	Unpacked, OEM Only
F16-0151-1	Quick Release Fender Lock	High Polish	Each	Retail Packaged
F16-0151C	Quick Release Fender Lock	High Polish	Each	Pin Only
F16-0151R	Quick Release Fender Lock	High Polish	Each	Receiver Only, Unpacked, OEM Only
F16-0151R-1	Quick Release Fender Lock	High Polish	Each	Receiver Only, Retail Package